

15437-0589

1/14

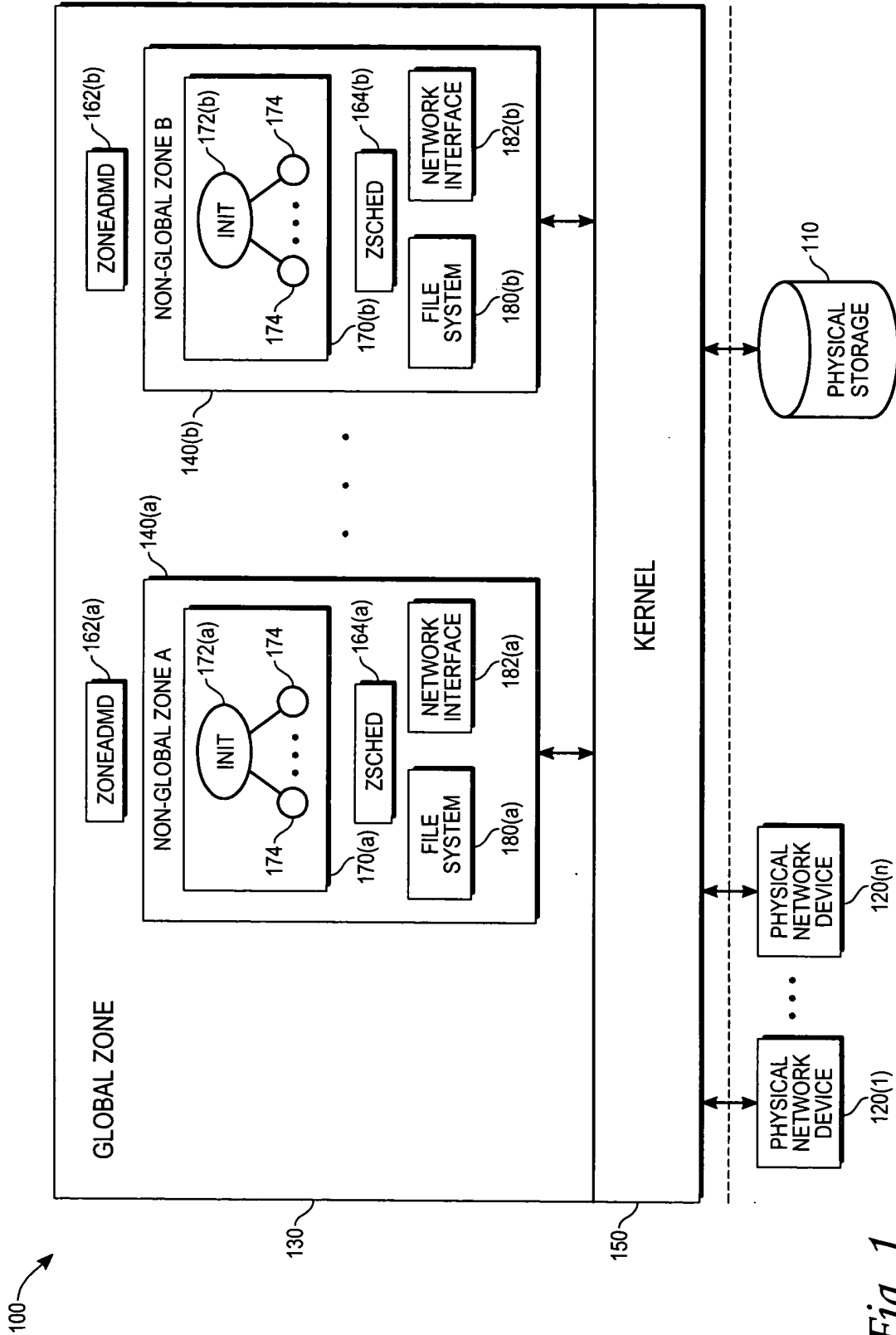


Fig. 1

15437-0589

2/14



100 →

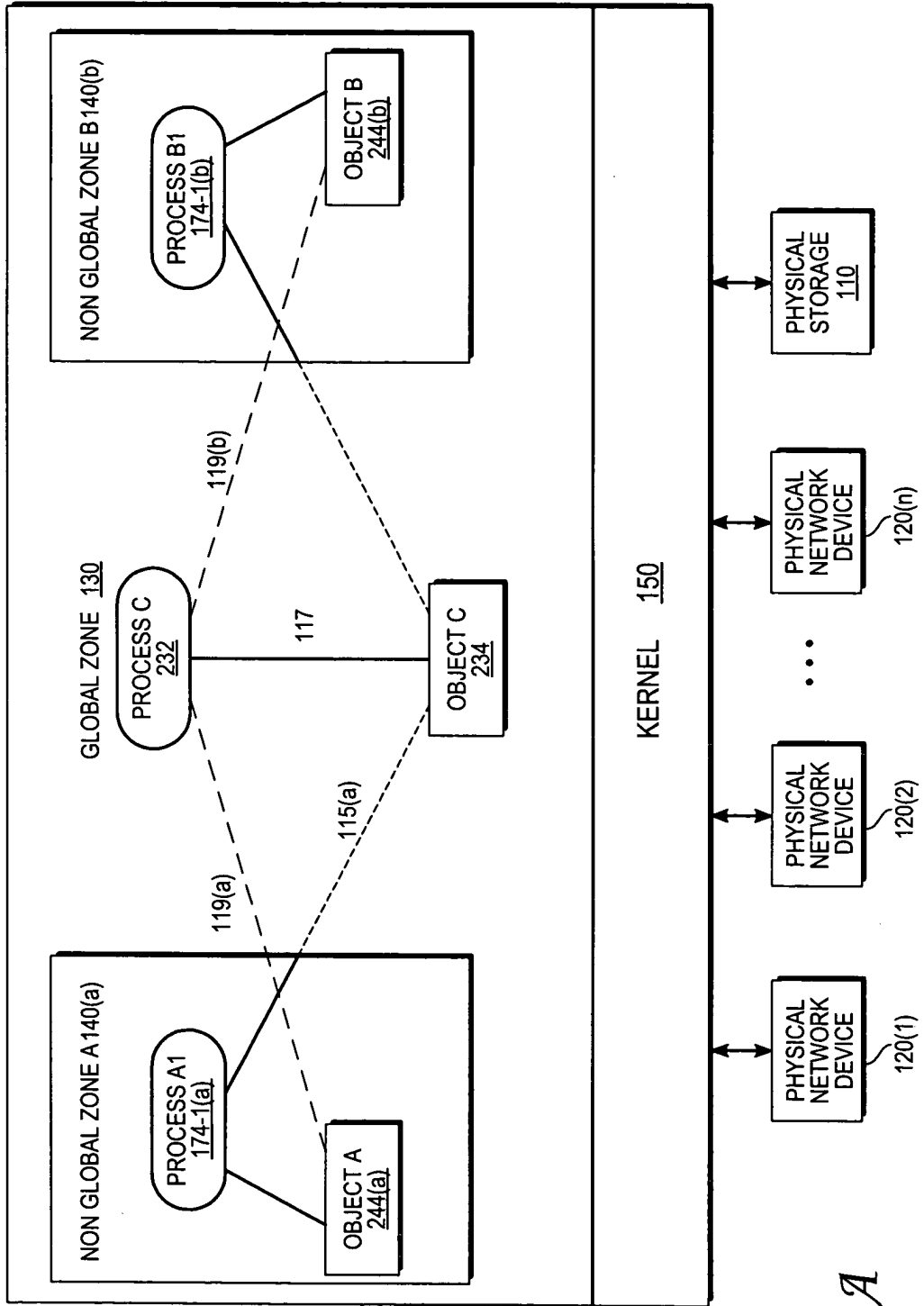
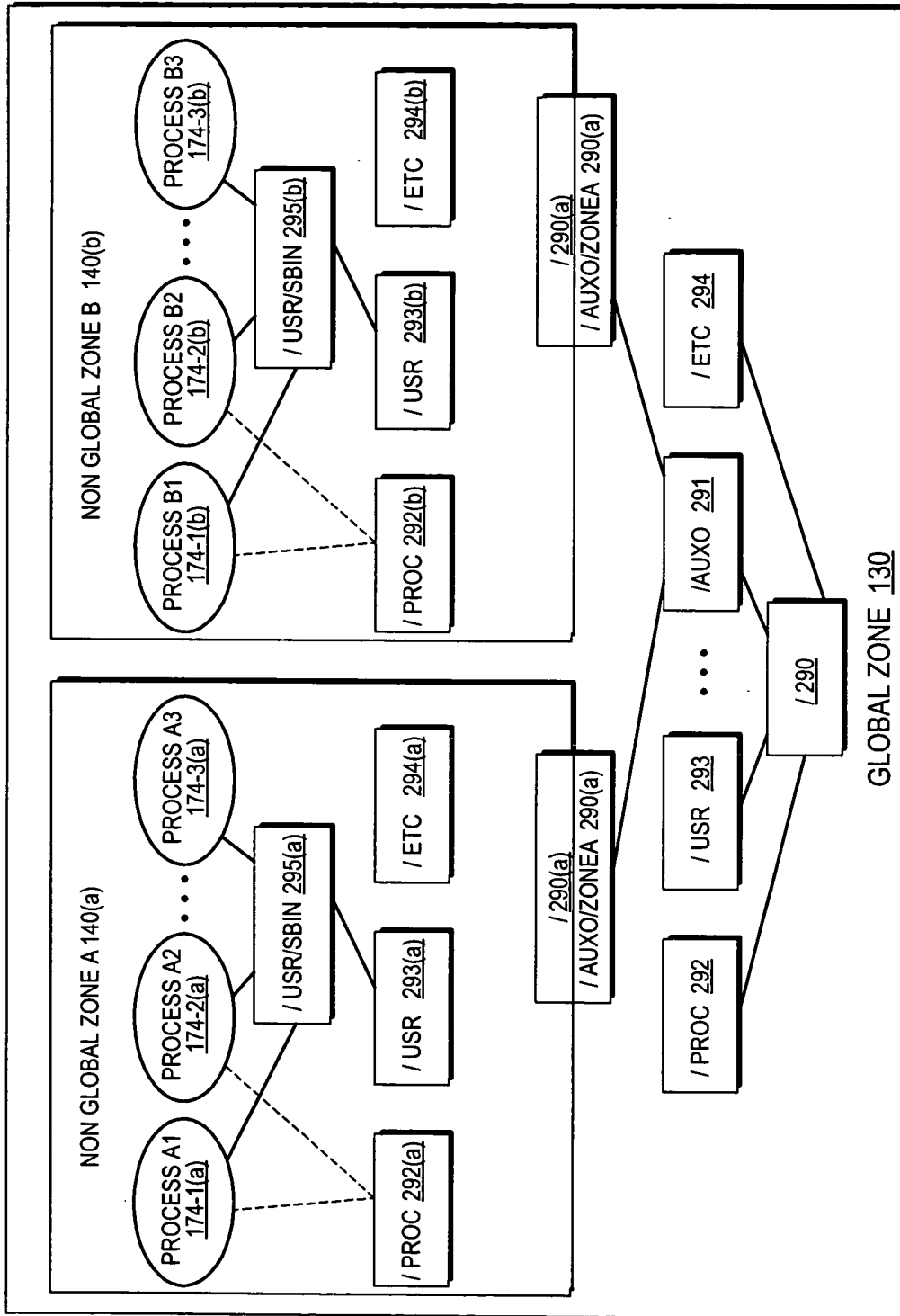


Fig. 2A



15437-0589

3/14



100

Fig. 2B

15437-0589

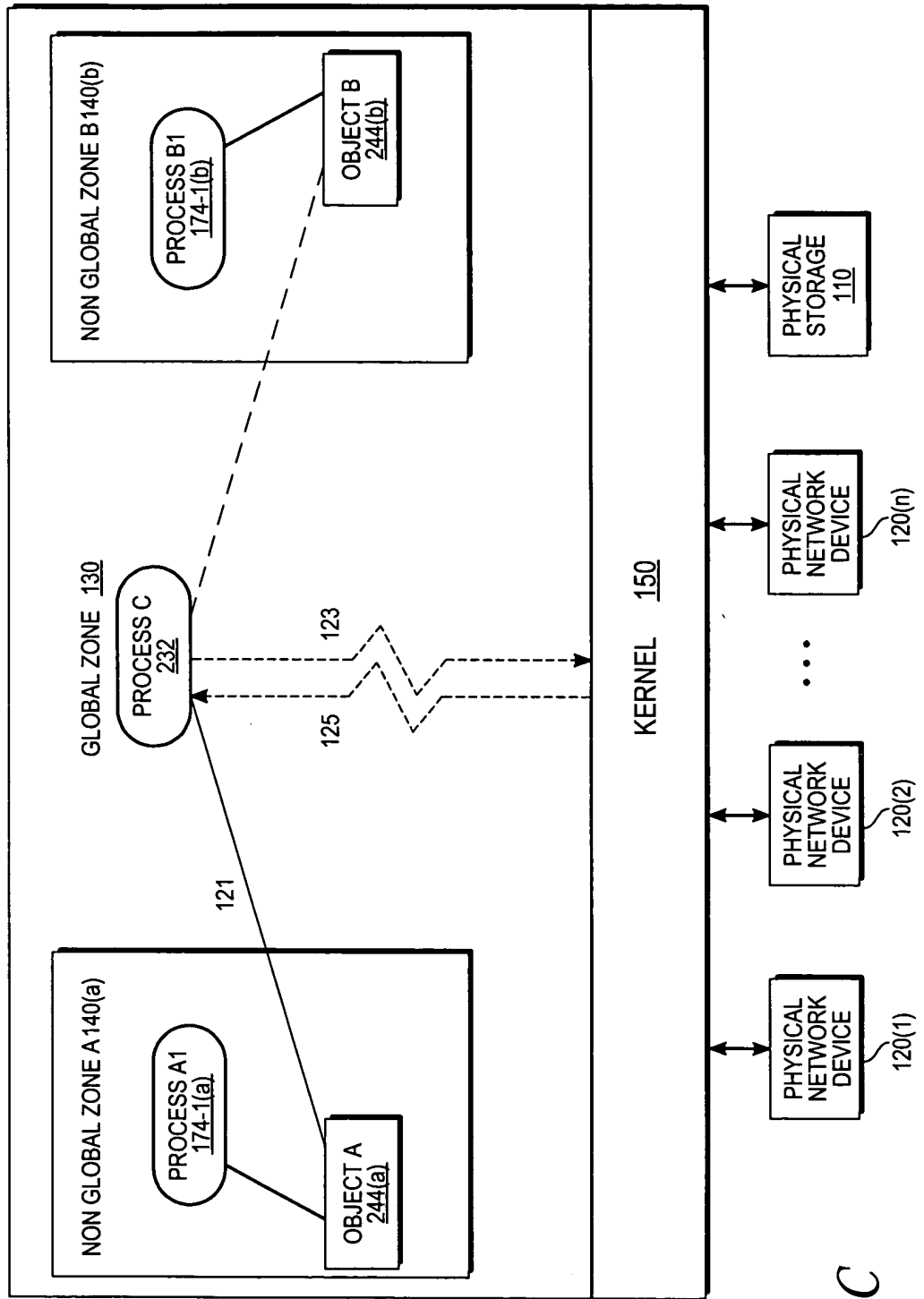


Fig. 2C

15437-0589

+

5/14

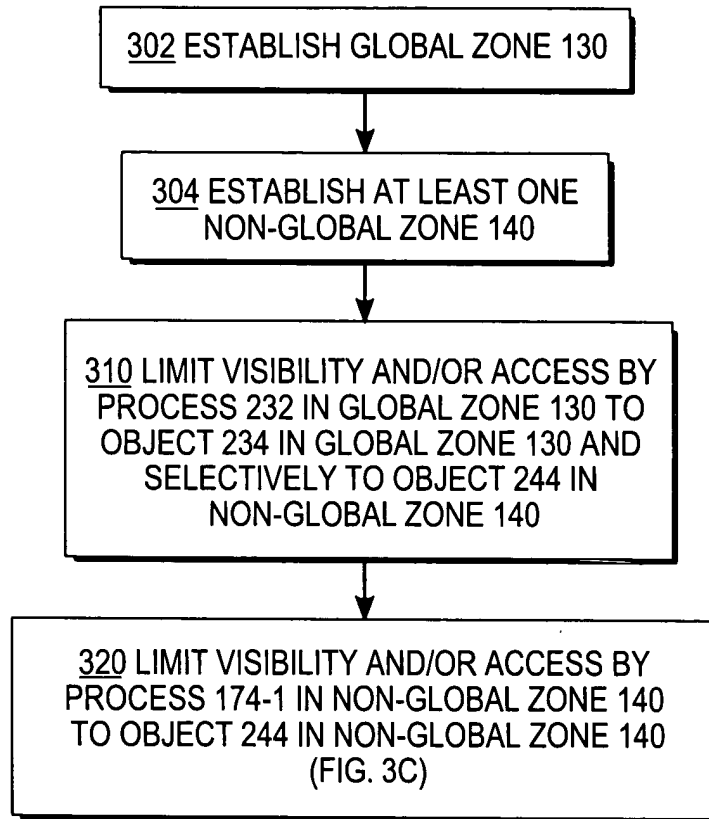


Fig. 3A

+

15437-0589

+

6/14

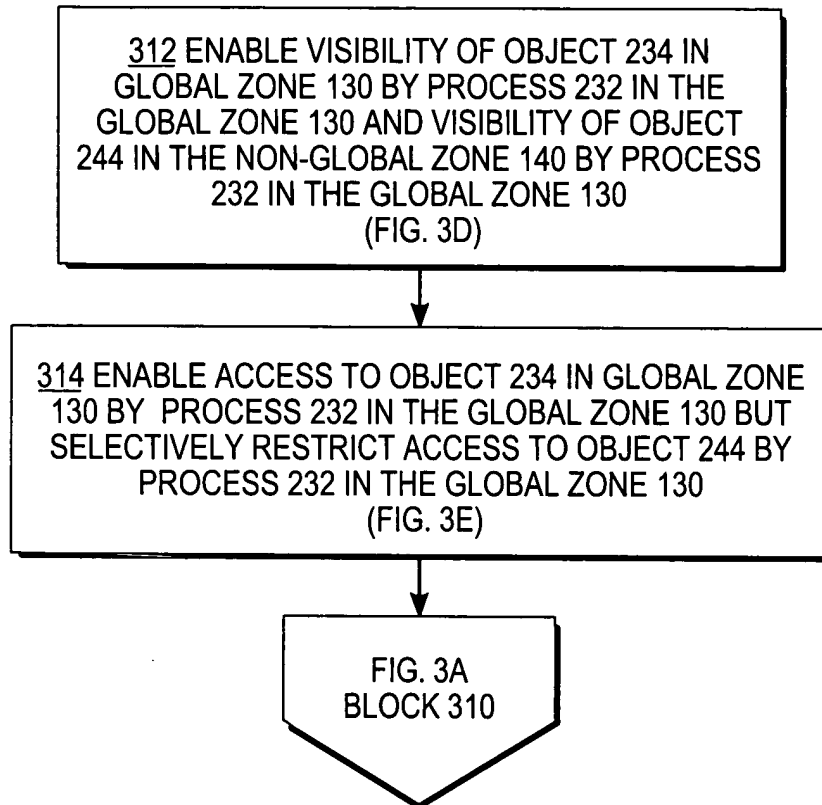


Fig. 3B

+

15437-0589

+

7/14

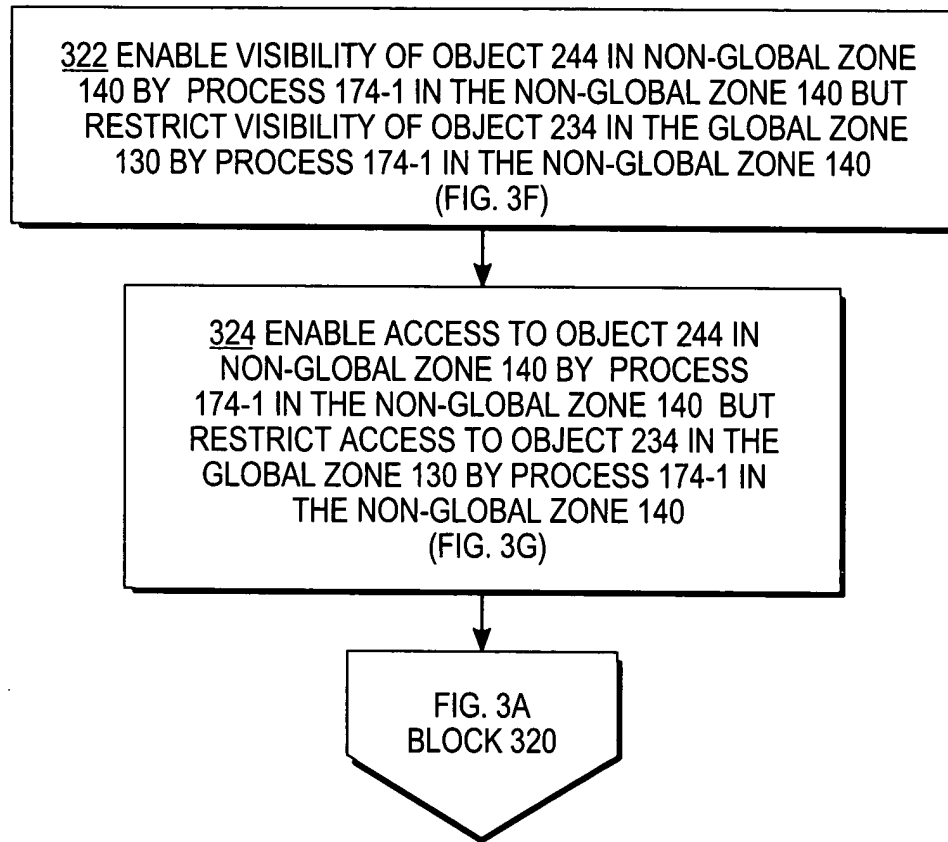


Fig. 3C

+

15437-0589

+

8/14

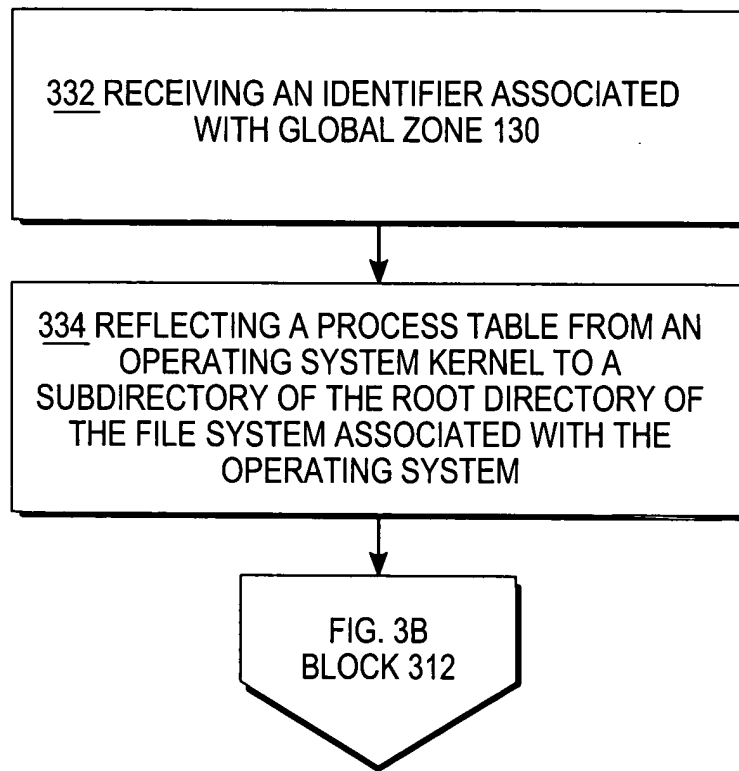


Fig. 3D

+

15437-0589

+

9/14

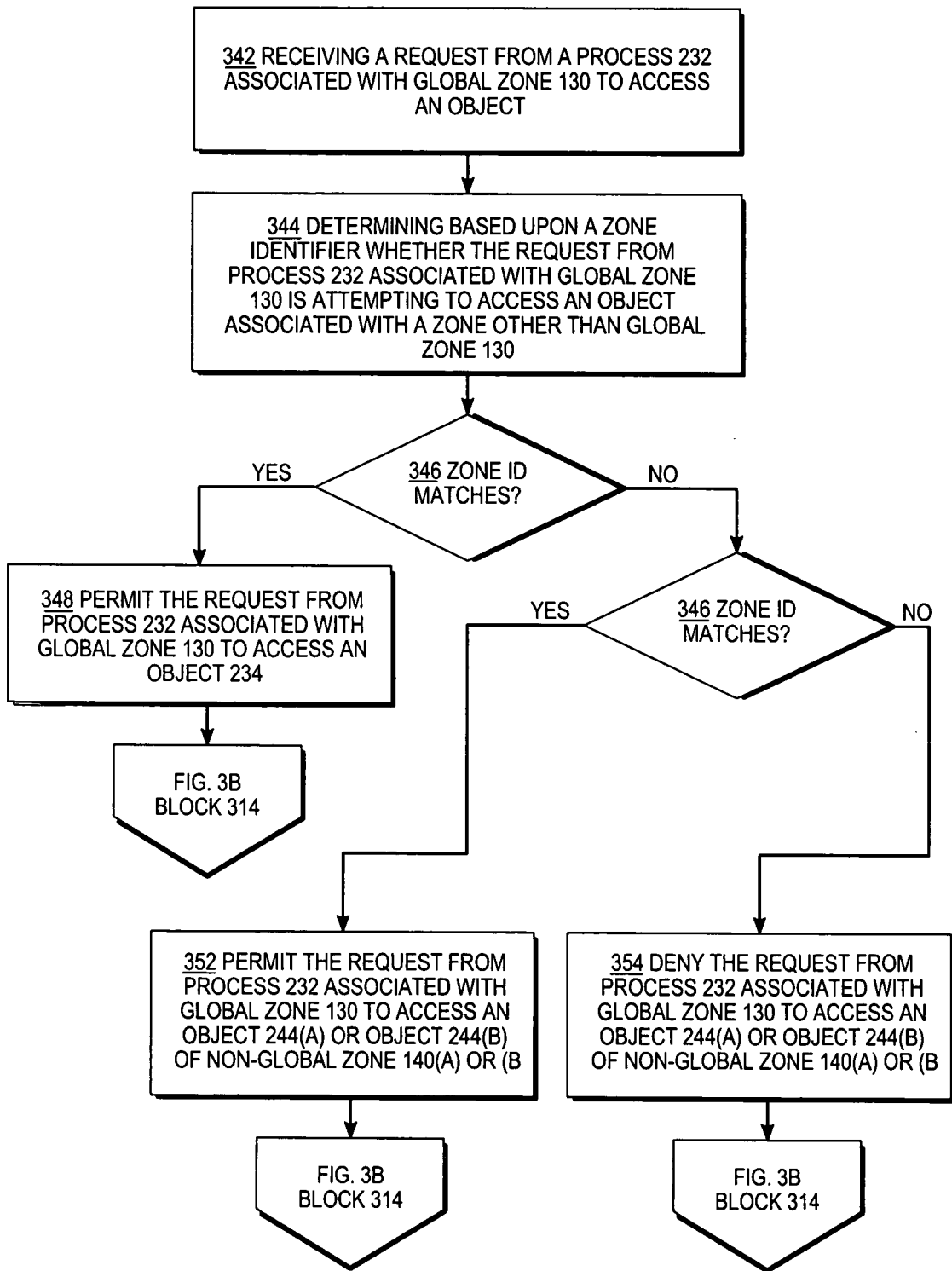


Fig. 3E

+

15437-0589

+

10/14

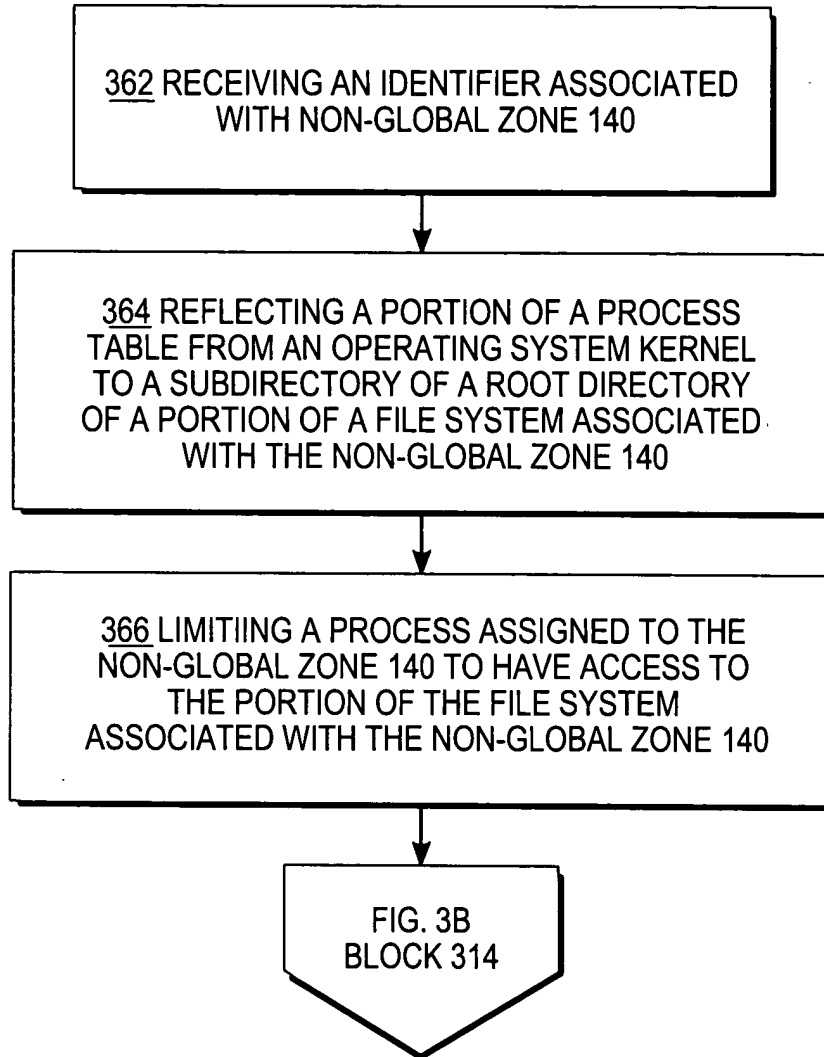


Fig. 3F

+

15437-0589

+

11/14

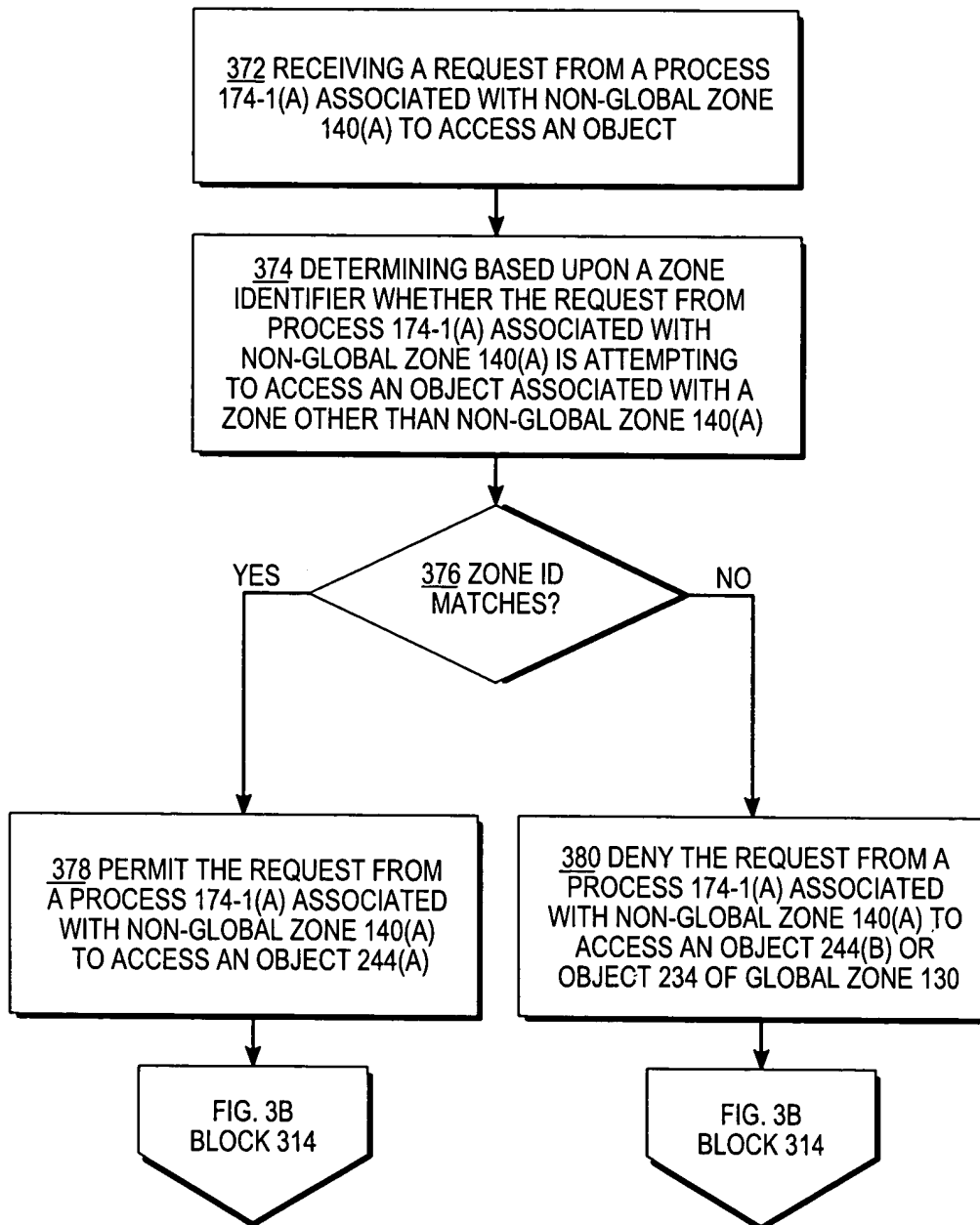


Fig. 3G

+

15437-0589

+

12/14

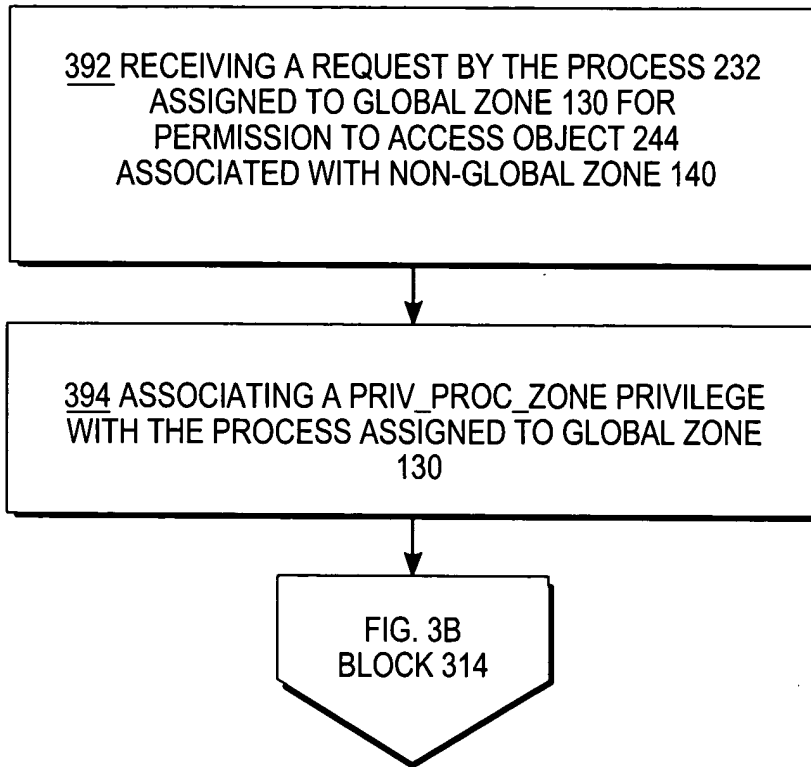


Fig. 3H

+

15437-0589

+

```
global # zoneadm list -v 402
      ID NAME          STATE          PATH
      0 global         running        /
      100 my-zone      running        /aux0/my-zone } 404

global # ps -e -o pid, zoneid, comm 406
      0 0 sched
      0 0 /etc/init
      ...
      100180 0 /usr/lib/netsvc/yp/ypbind
      100228 0 /usr/lib/autofs/automountd
      100248 0 /usr/sbin/nscd
      103152 100 /usr/sbin/inetd
      ...
      103148 100 /usr/lib/autofs/automountd
      103141 100 /usr/lib/netsvc/yp/ypbind } 408

global # zlogin my-zone ps -e -o pid, zoneid, comm 410
      PID ZONEID COMMAND
      103130 100 zsched
      103148 100 /usr/lib/autofs/automountd
      103141 100 /usr/lib/netsvc/yp/ypbind
      103152 100 /usr/sbin/inetd
      103139 100 /usr/sbin/rpcbind
      103143 100 /usr/sbin/nscd } 412
```

Fig. 4

+

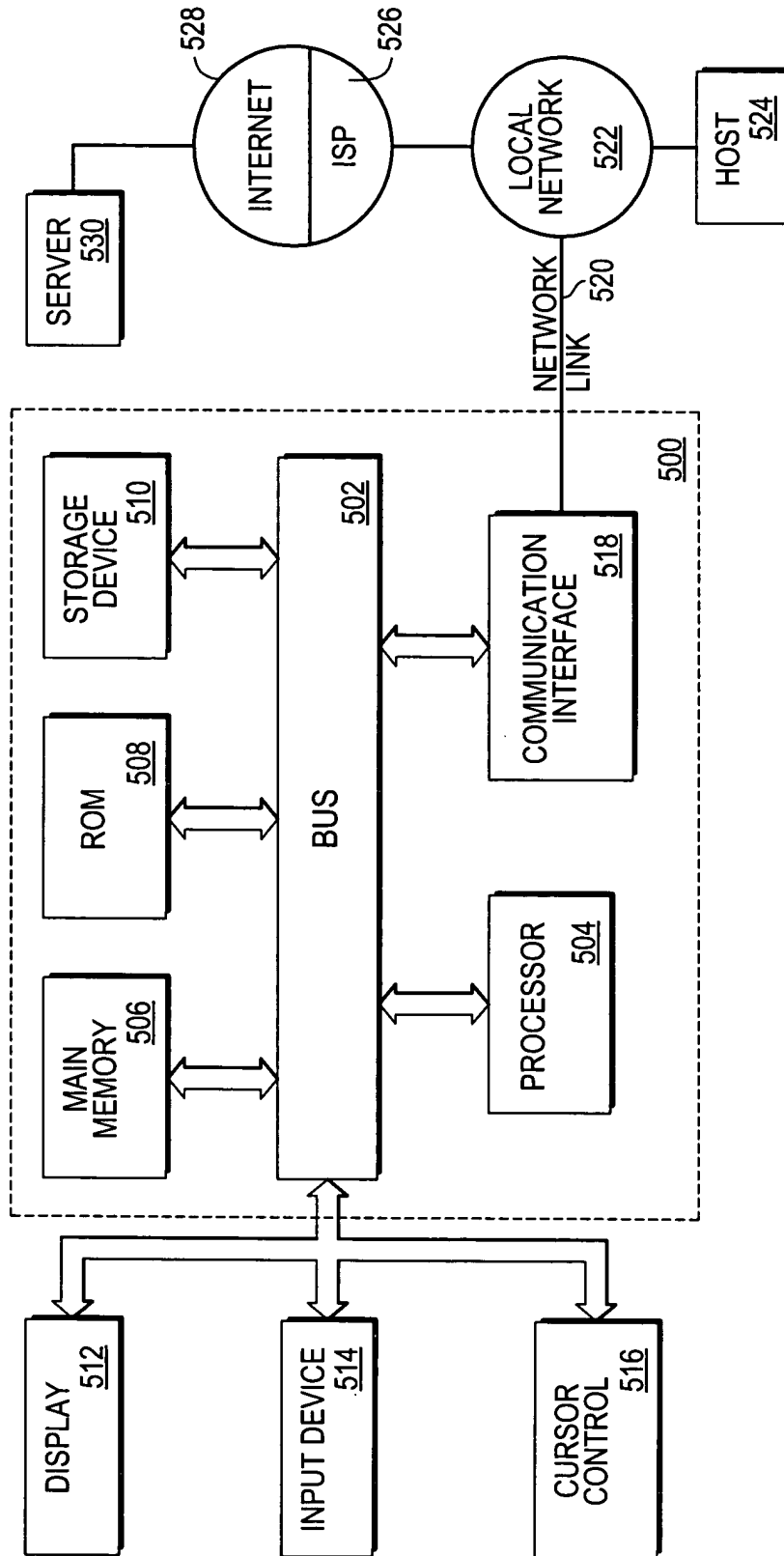


Fig. 5

+

+